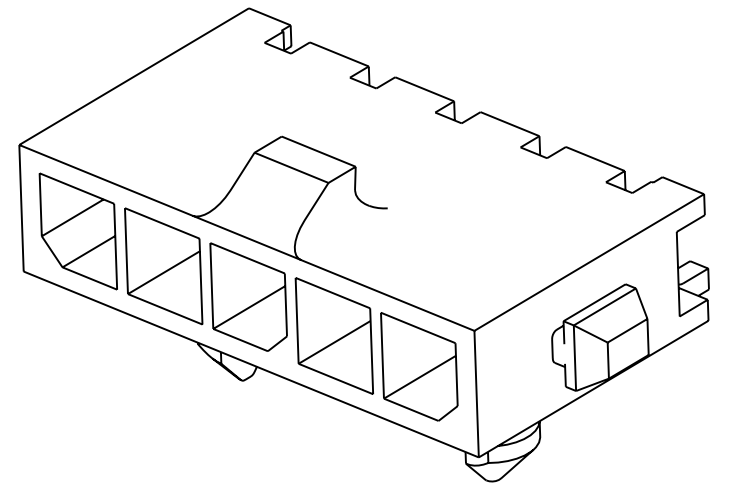
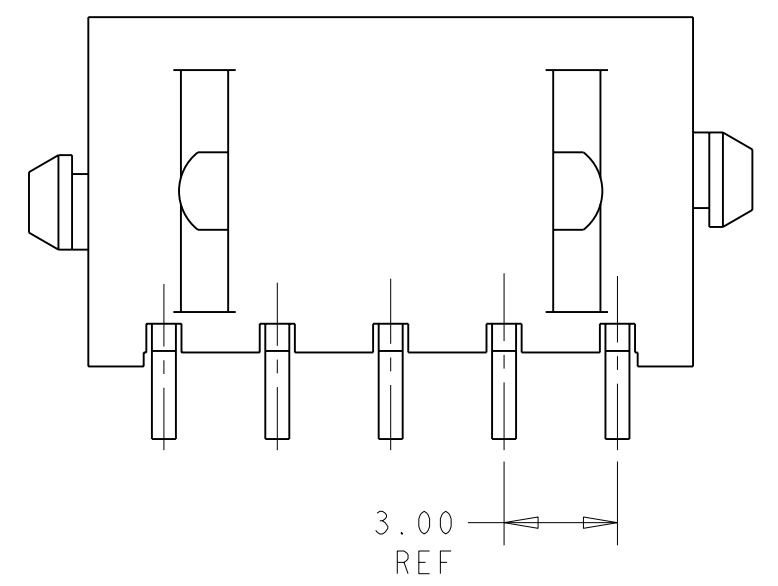
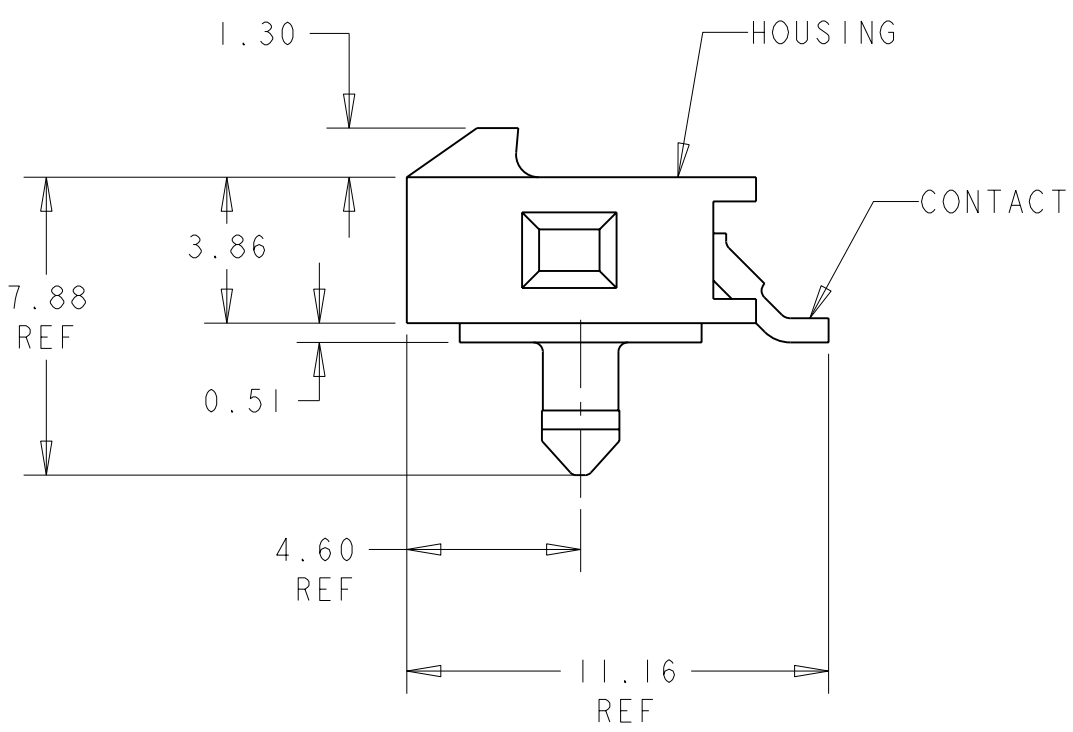
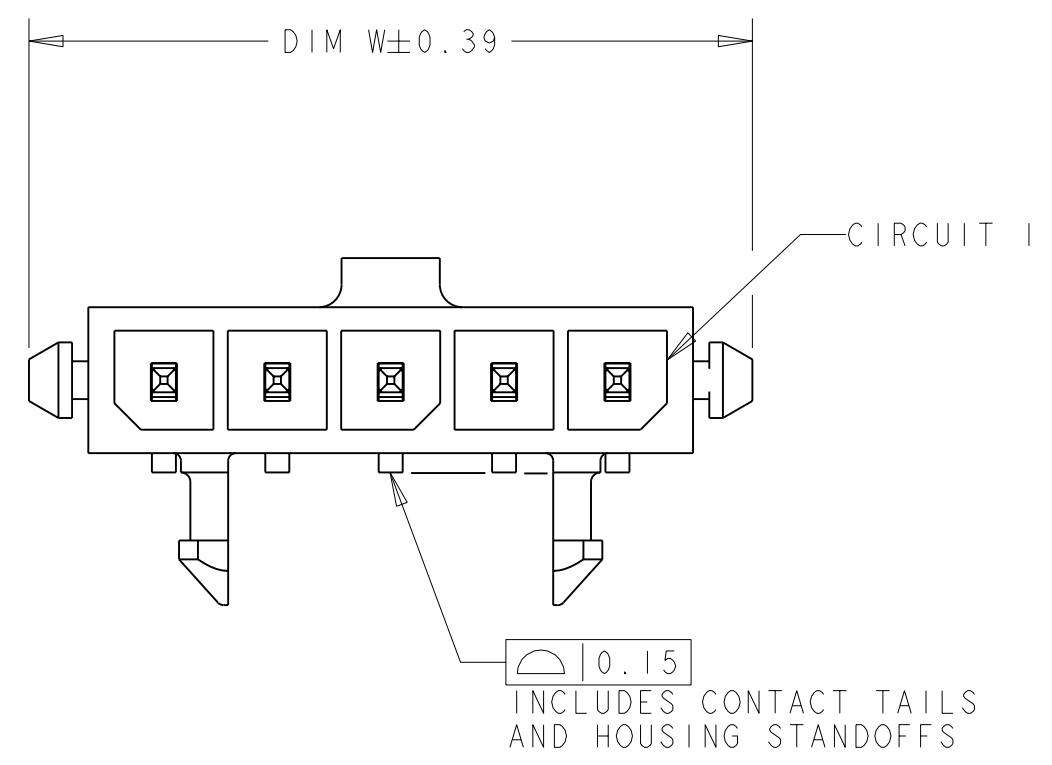


THIS DRAWING IS UNPUBLISHED. RELEASED FOR PUBLICATION .19
 BY AMP INCORPORATED. ALL RIGHTS RESERVED.

LOC	DIST	REVISIONS					
CM	00	P	LTR	DESCRIPTION	DATE	DWN	APVD
		B		REVISED PER 0G3B-0205-05	25-APR-05	KW	CJ



- 1 MATERIAL: CONTACTS - BRASS
HOUSING - UL 94V-0 RATED HIGH TEMP NYLON, COLOR BLACK.
- 2 PLATING: CONTACTS - 0.38µm MINIMUM GOLD ON MATING AREA, 2.5µm MINIMUM TIN LEAD ON SOLDER TAILS, BOTH OVER 1.27µm MINIMUM NICKEL.
- 4 RECOMMENDED PC BOARD THICKNESS OF 1.57.
- 5 PLATING: CONTACTS - 0.38µm MINIMUM GOLD ON MATING AREA, 2.5µm MINIMUM MATTE TIN ON SOLDER TAILS, BOTH OVER 1.27µm MINIMUM NICKEL.

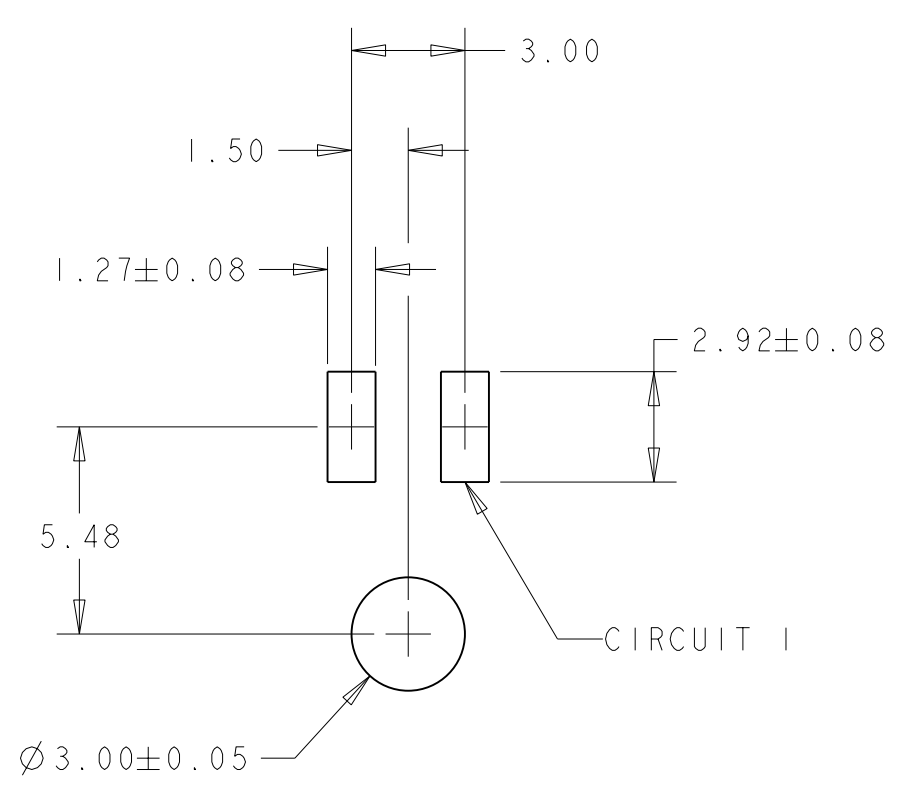
FINISH	DIM Z	DIM V	DIM W	NO. OF POSN	PART NUMBER
5	33.00	28.70	40.00	12	3-1445092-2
5	30.00	25.70	37.00	11	3-1445092-1
5	27.00	22.70	34.00	10	3-1445092-0
5	24.00	19.70	31.00	9	2-1445092-9
5	21.00	16.70	28.00	8	2-1445092-8
5	18.00	13.70	25.00	7	2-1445092-7
5	15.00	10.70	22.00	6	2-1445092-6
5	12.00	7.70	19.00	5	2-1445092-5
5	9.00	4.70	16.00	4	2-1445092-4
5	-	-	13.00	3	2-1445092-3
5	-	-	10.00	2	2-1445092-2
2	33.00	28.70	40.00	12	1-1445092-2
2	30.00	25.70	37.00	11	1-1445092-1
2	27.00	22.70	34.00	10	1-1445092-0
2	24.00	19.70	31.00	9	1445092-9
2	21.00	16.70	28.00	8	1445092-8
2	18.00	13.70	25.00	7	1445092-7
2	15.00	10.70	22.00	6	1445092-6
2	12.00	7.70	19.00	5	1445092-5
2	9.00	4.70	16.00	4	1445092-4
2	-	-	13.00	3	1445092-3
2	-	-	10.00	2	1445092-2

METRIC

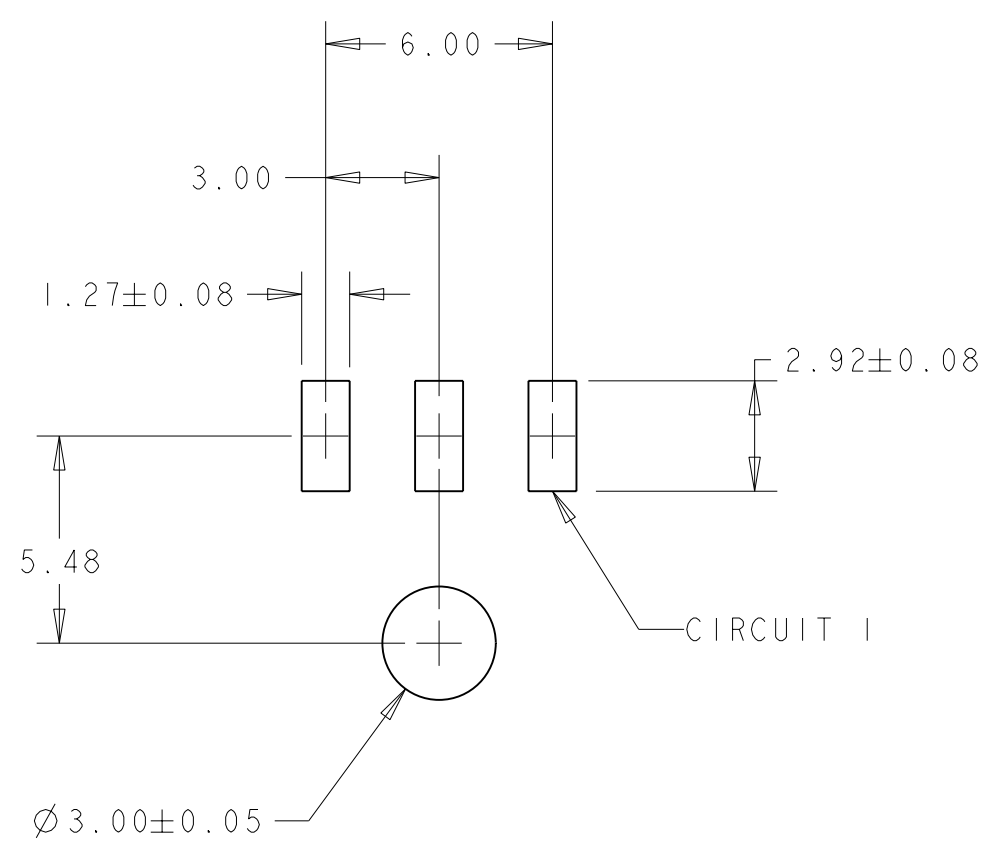
THIS DRAWING IS A CONTROLLED DOCUMENT FOR AMP INCORPORATED. IT IS SUBJECT TO CHANGE AND THE CONTROLLING ENGINEERING ORGANIZATION SHOULD BE CONTACTED FOR THE LATEST REVISION.		DWN J. ROOT 09OCT2000	AMP Tyco Electronics Harrisburg, PA 17105-3608	
DIMENSIONS: mm	TOLERANCES UNLESS OTHERWISE SPECIFIED: 0 PLC ± 1 PLC ± 2 PLC ±0.13 3 PLC ± 4 PLC ± ANGLES ±	CHR K. WHITAKER 17-APR-2001	NAME RT ANGLE SURFACE MOUNT HEADER ASSY, 0.38 MIC GOLD CONTACTS, W/PLASTIC HOLDDOWNS, SGL ROW, MICRO MATE-N-LOK™	
MATERIAL - 1	SEE TABLE	APVD C. JONES 17-APR-2001	PRODUCT SPEC -	DRAWING NO C=1445092
		APPLICATION SPEC -	SIZE A2	SCALE 5:1
		WEIGHT -	CAGE CODE 00779	SHEET 1 OF 2
		CUSTOMER DRAWING	REV B	

THIS DRAWING IS UNPUBLISHED. RELEASED FOR PUBLICATION .19
 © COPYRIGHT 19 BY AMP INCORPORATED. ALL RIGHTS RESERVED.

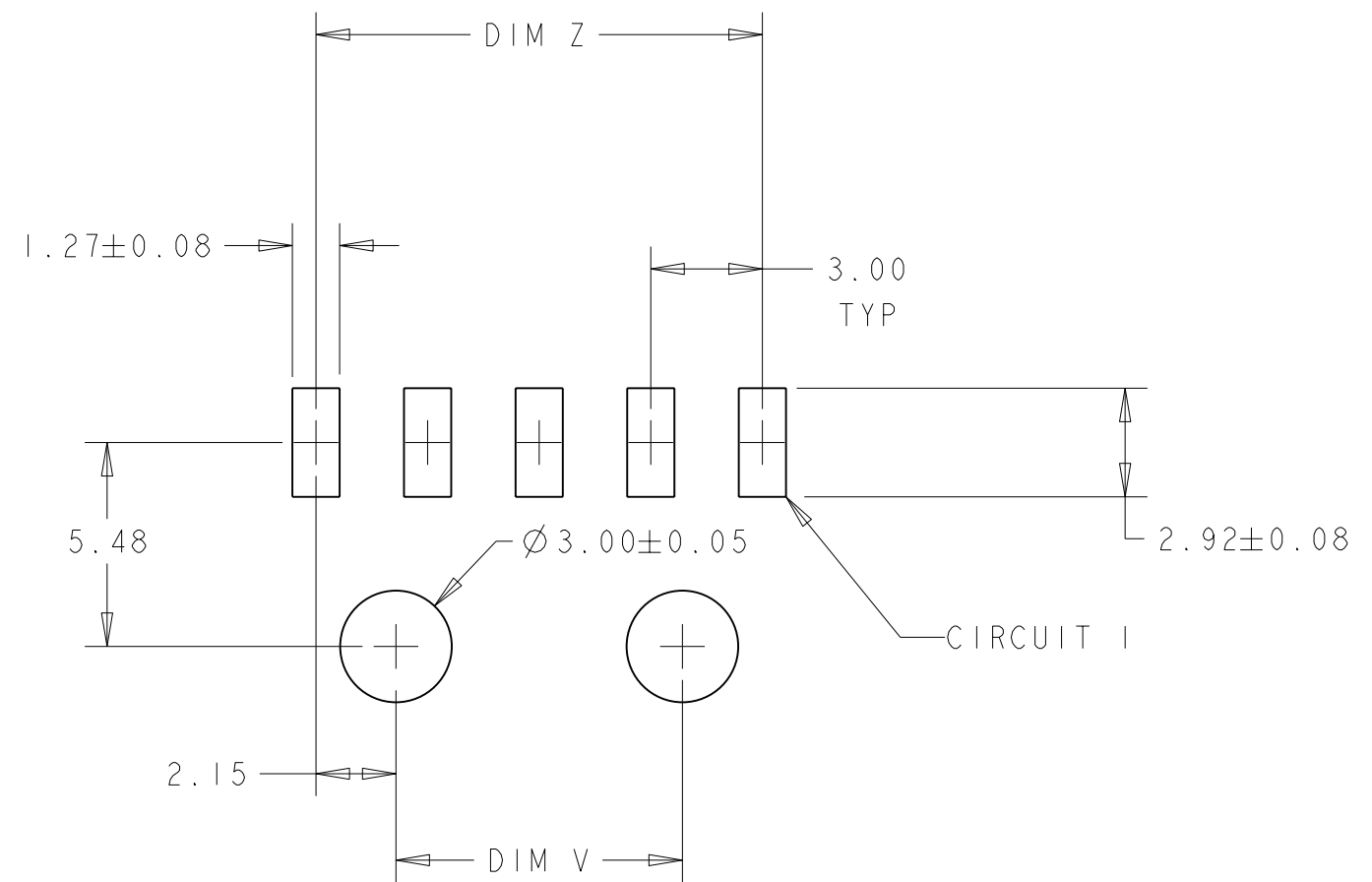
LOC	DIST	REVISIONS			
P	LTR	DESCRIPTION	DATE	DWN	APVD
CM	00	SEE SHEET 1	-	-	-



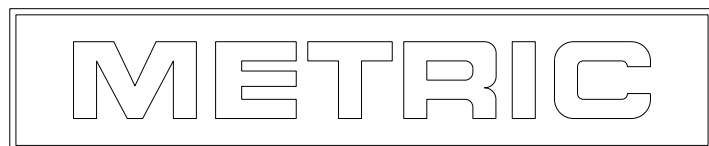
PCB LAYOUT FOR 2 POSITION COMPONENT SIDE



PCB LAYOUT FOR 3 POSITION COMPONENT SIDE



PCB LAYOUT FOR 4-12 POSITION COMPONENT SIDE



THIS DRAWING IS A CONTROLLED DOCUMENT FOR AMP INCORPORATED. IT IS SUBJECT TO CHANGE AND THE CONTROLLING ENGINEERING ORGANIZATION SHOULD BE CONTACTED FOR THE LATEST REVISION.		DWN J. ROOT 09OCT2000	AMP Tyco Electronics Harrisburg, PA 17105-3608	
DIMENSIONS: mm	TOLERANCES UNLESS OTHERWISE SPECIFIED:	CHR K. WHITAKER 17-APR-2001	NAME RT ANGLE SURFACE MOUNT HEADER ASSY, 0.38 MIC GOLD CONTACTS, W/PLASTIC HOLDDOWNS, SGL ROW, MICRO MATE-N-LOK™	
0 PLC ±-	1 PLC ±-	APVD C. JONES 17-APR-2001	SIZE A2	
2 PLC ±0.13	3 PLC ±-	PRODUCT SPEC	CAGE CODE 00779	DRAWING NO C=1445092
4 PLC ±-	ANGLES ±-	APPLICATION SPEC	SCALE 5:1	SHEET 2 OF 2
MATERIAL -	FINISH -	WEIGHT -	CUSTOMER DRAWING	REV B